



**Determination of Volatile Organic Compounds and Carbonyl Compounds in
Cabin of Vehicles**

.....	I
.....	1
.....	1
.....	1
.....	1
.....	4
.....	4
.....	6
.....	6
.....	6
.....	7
.....	7
.....	7
.....	7
.....	7
.....	8
.....	8
.....	8
.....	9
.....	10
.....	10
.....	11
.....	11
.....	12
.....	14
.....	14
.....	14
.....	14
.....	14
.....	15
.....	15
.....	15
.....	15
.....	16
.....	17
.....	18
.....	18
.....	18
.....	18
.....	21

2007 12 7

2008 3 1

1

2

3

3.1 M M₂ M₃ N
GB/T 15089

M

M₂

5000 kg

M₃

5000 kg

N

3.2

tenax

10

3.3

C

4

4.1

4.1.1

4.1.2

±

±

4.2

4.2.1

4.2.2

4.3

4.3.1

4.3.2

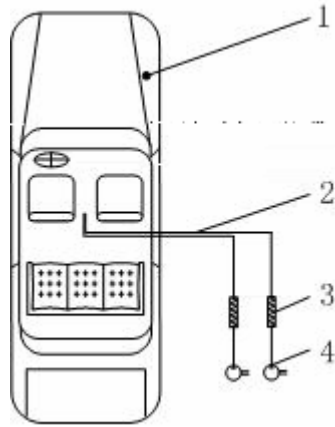
4.3.2.1

4.3.2.2

4.3.2.3

4.3.2.4

4.3.2.5



1

4.4

4.4.1

4.4.2

4.4.3

4.5

5

5.1

B

5.2

C

6

6.1

6.2

6.3

6.4

6.5

2

6.6

20%

6.7

6.7.1

6.7.2

6.7.3

6.8

$$V = V \cdot \frac{T}{T} \cdot \frac{P}{P}$$

:

6.9

A

A 1

A 1.1

A 1.2

A 1.3

A 1.4

A 1.5

A 1.6

A 2

B

B.1

B.2

B.2.1

B.2.2

B.2.3

B.2.4

B.2.5

TIC

B.3

B.4

B.4.1

μ \pm \pm

.
. .
. .
. .
. .
. .

B.4.2

B.4.3

B.5

B.5.1

B.5.2

—

B.5.2.1

B.5.2.2 /

B.5.3

\pm

B.6

B. 7

B. 7. 1

B. 7. 2

B. 7. 3

B. 7. 3. 1

B. 7. 3. 2

B. 7. 3. 3

α

B. 7. 3. 4

B.7.4

B.8.1

$$c_m = \frac{m_F - m_B}{V} *$$

c_m

m_F

m_B

V

$$c_c = c_m \cdot \frac{p}{p} \cdot \frac{T}{T}$$

c_c

p

p

T

T

B.8.2

B.9

B.9.1

B.9.2

B. 9. 3

B 12

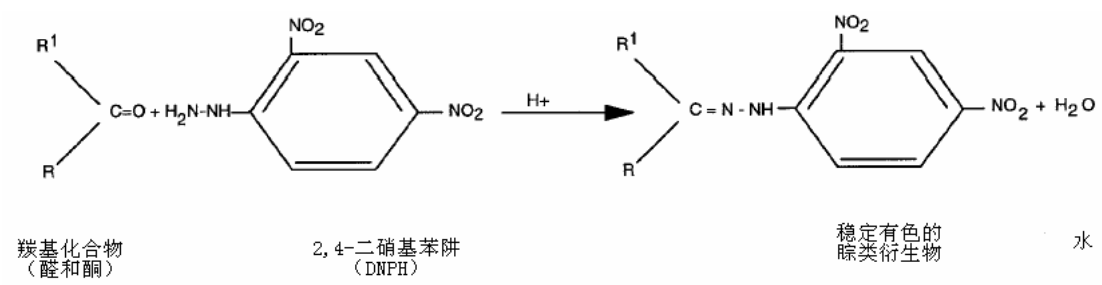
C

C.1

C.2

C.2.1 DNPH

C.3



C.4

C.4.1 DNPH

- μ
- μ
- μ
- μ

C.4.2 HPLC

C.4.3

.
. .
. .
. .
. .
. .

C 4.4

C 5

C 5.1

HPLC

C 5.2

C 5.3

C 5.4

C 5.5

C 6

C 6.1

C 6.2

C 6.3

C 6.4

C 7

C 7.1

C.7.2
C.7.2.1

C.7.2.2

C.7.2.3

C.7.2.4
 α

C.7.2.5

—

C.7.3

C.8

C.8.1

$$c_m = \frac{m_F - m_B}{V} *$$

c_m

m_F

m_B

V

$\sqrt{\quad}$

$\sqrt{\quad}$

$$c_c = c_m \cdot \frac{p}{p} \cdot \frac{T}{T}$$

c_c

p

p

T

T

C.8.2

C.9

C.9.1

= =

μ

—

C.9.2

C.9.3

C 10

C 10.1

μ

C 10.2

$$N = \frac{t_R}{W}$$

N

W

t_R

C 10.3

±

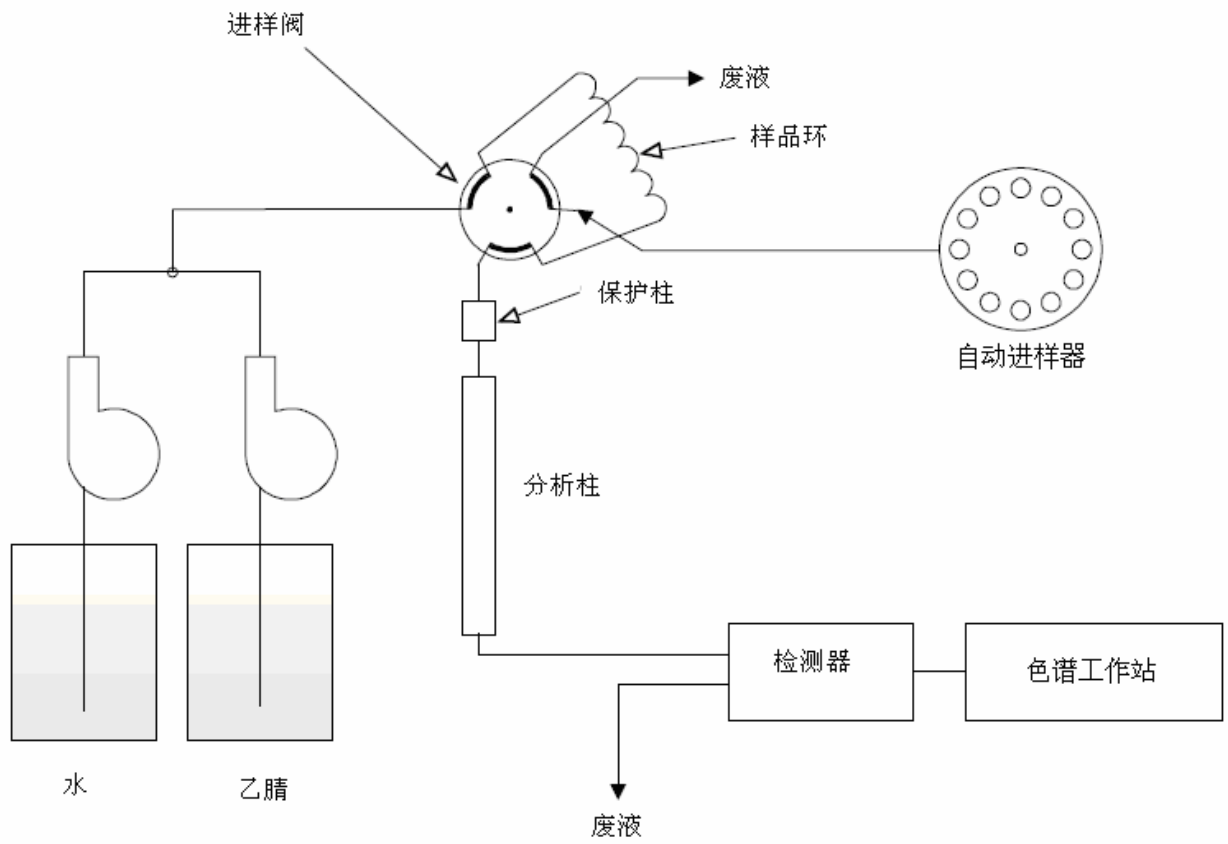
±

C 11

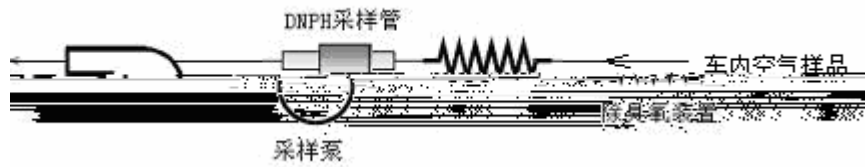
C 12

"

"

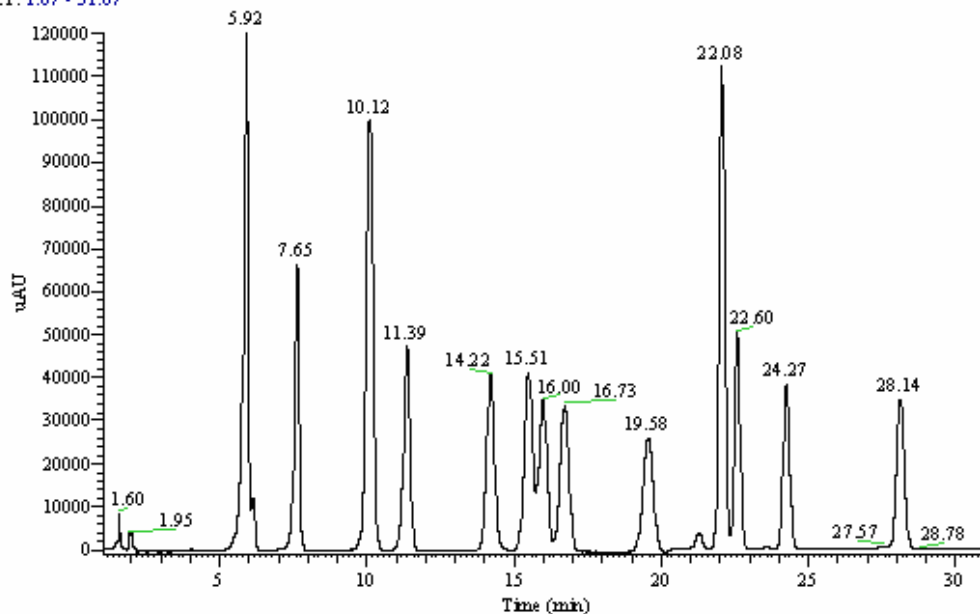


C.1



C.2 DNPH

RT: 1.07 - 31.07



NL:
1.20E5
Channel A
UV
yuanye-01

DNPH

D
